



No.	Description	Date

CLIENT  
  
CRAYON APARTMENT

COVER PAGE		A001
Project number	0001	
Date	16/08/2024	
Drawn by	ABID	
Checked by	THEERTHA	
Guided by	THEERTHA	
Scale		

## SHEET LIST

SHEET NAME	SHEET NUMBER
SITE PLAN	A003
GROUND FLOOR PLAN	A004
1-8 FLOOR PLAN	A005
ROOF FLOOR PLAN	A006
CEILING PLAN	A007
GF COLOURFILL	A008
1-8 F COLOURFILL	A009
WALL SECTION 1&3	A010
WALL SECTION 2&4	A011
SOUTH AND WEST	A012
NORTH AND EAST	A013
DOOR LEGEND & SCHEDULE	A014
WN LEGEND & SCHEDULE	A015
WALL MATERIAL TAKEOFF	A016
WALL MATERIAL TAKEOFF	A017
WALL MATERIAL TAKEOFF	A018
GENERIC MODEL TAKEOFF	A019
GENERIC MODEL TAKEOFF	A020
FLOOR MATERIAL TAKEOFF	A021
3D IMAGE	A022
3D IMAGE	A023

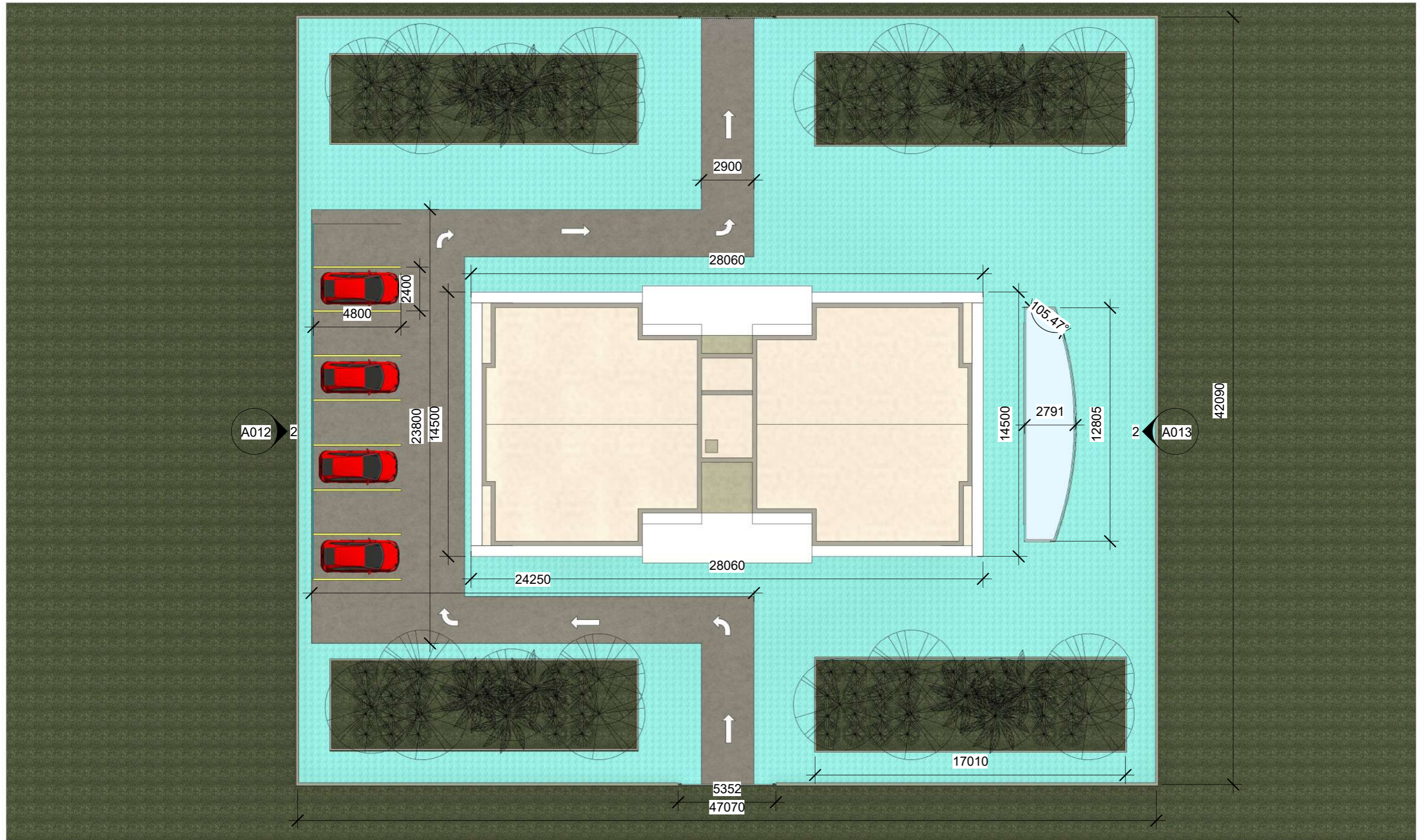
## SHEET LIST

SHEET NAME	SHEET NUMBER
3D IMAGE	A023
3D IMAGE	A024
3D IMAGE	A025



No.	Description	Date

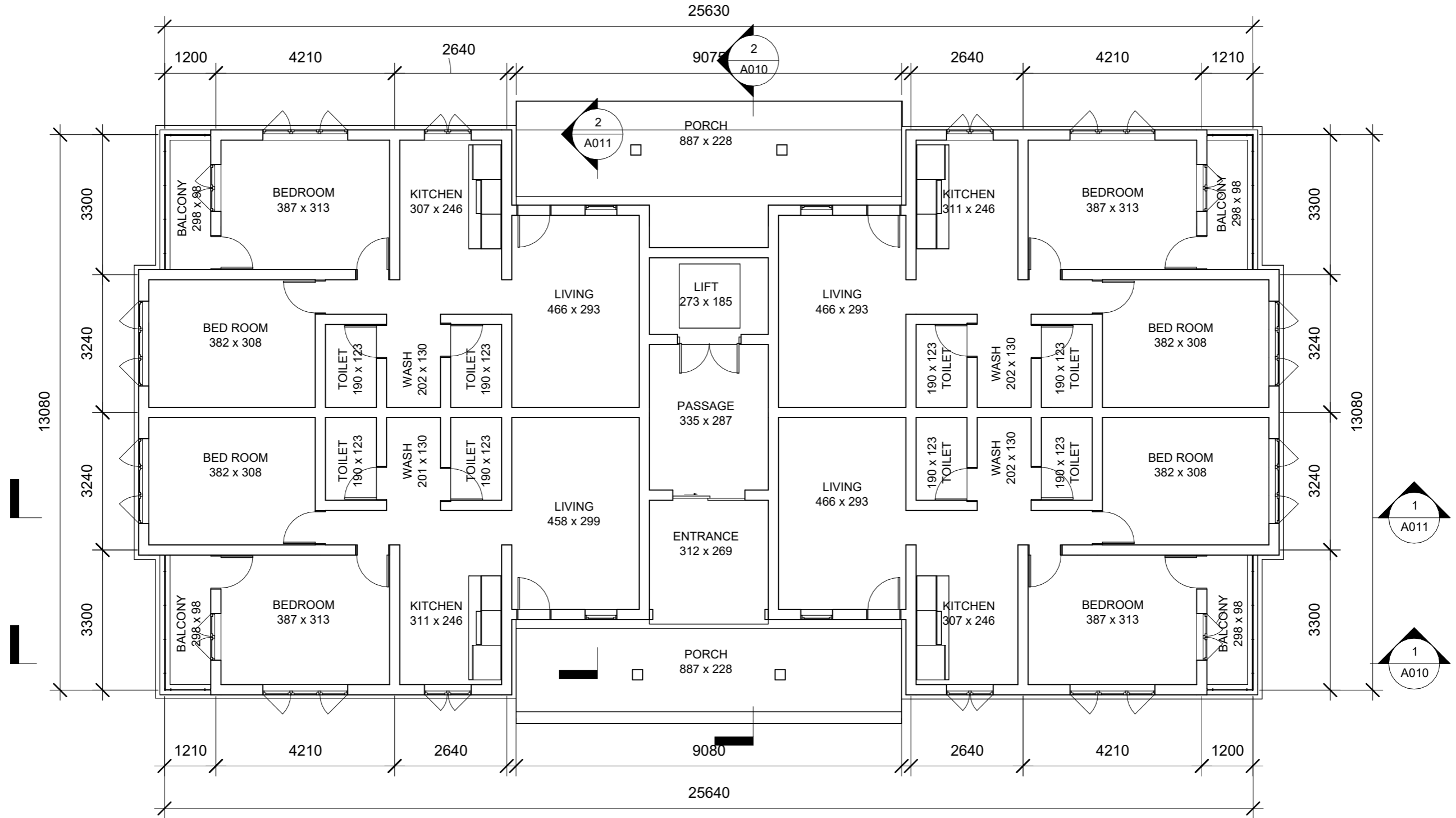
<p><b>CLIENT</b></p> <p><b>CRAYON APARTMENT</b></p>	<p style="text-align: center;"><b>SHEET LIST</b></p> <table style="width: 100%; border-collapse: collapse;"> <tr> <td style="width: 60%;">Project number</td> <td style="width: 20%;">0001</td> <td rowspan="2" style="width: 20%; text-align: center; vertical-align: middle;"><b>A002</b></td> </tr> <tr> <td>Date</td> <td>16/08/2024</td> </tr> <tr> <td>Drawn by</td> <td>ABID</td> <td rowspan="3" style="text-align: center; vertical-align: middle;">Scale</td> </tr> <tr> <td>Checked by</td> <td>THEERTHA</td> </tr> <tr> <td>Guided by</td> <td>THEERTHA</td> </tr> </table>	Project number	0001	<b>A002</b>	Date	16/08/2024	Drawn by	ABID	Scale	Checked by	THEERTHA	Guided by	THEERTHA
Project number	0001	<b>A002</b>											
Date	16/08/2024												
Drawn by	ABID	Scale											
Checked by	THEERTHA												
Guided by	THEERTHA												



No.	Description	Date

**CLIENT**  
**CRAYON APARTMENT**

SITE PLAN		A003
Project number	0001	
Date	16/08/2024	
Drawn by	ABID	
Checked by	THEERTHA	
Guided by	THEERTHA	
Scale		1 : 200



# GROUND FLOOR PLAN

1

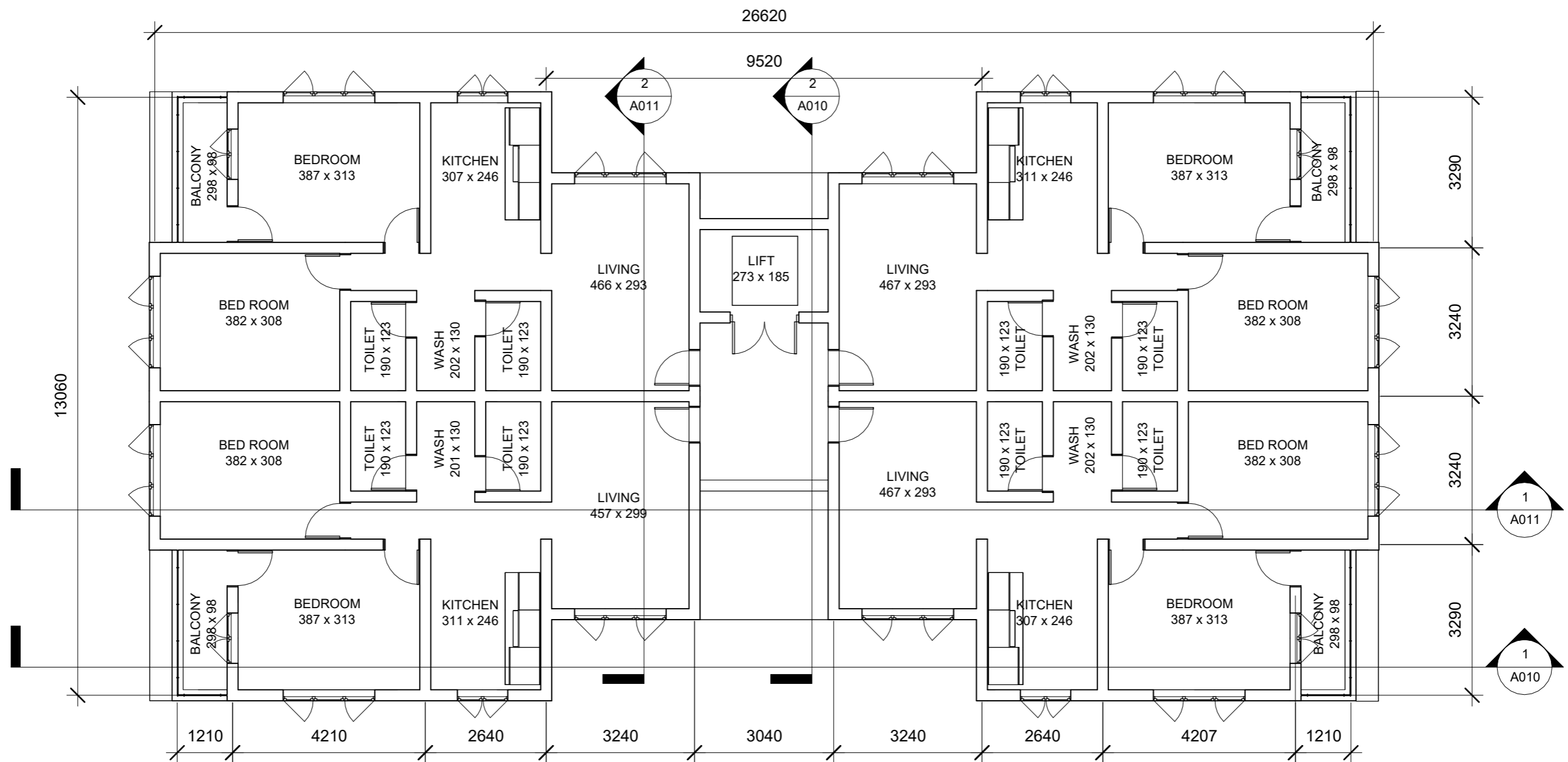
1 : 100



No.	Description	Date

**CLIENT**  
**CRAYON APARTMENT**

GROUND FLOOR PLAN		A004
Project number	0001	
Date	16/08/2024	
Drawn by	ABID	
Checked by	THEERTHA	
Guided by	THEERTHA	
Scale		1 : 100



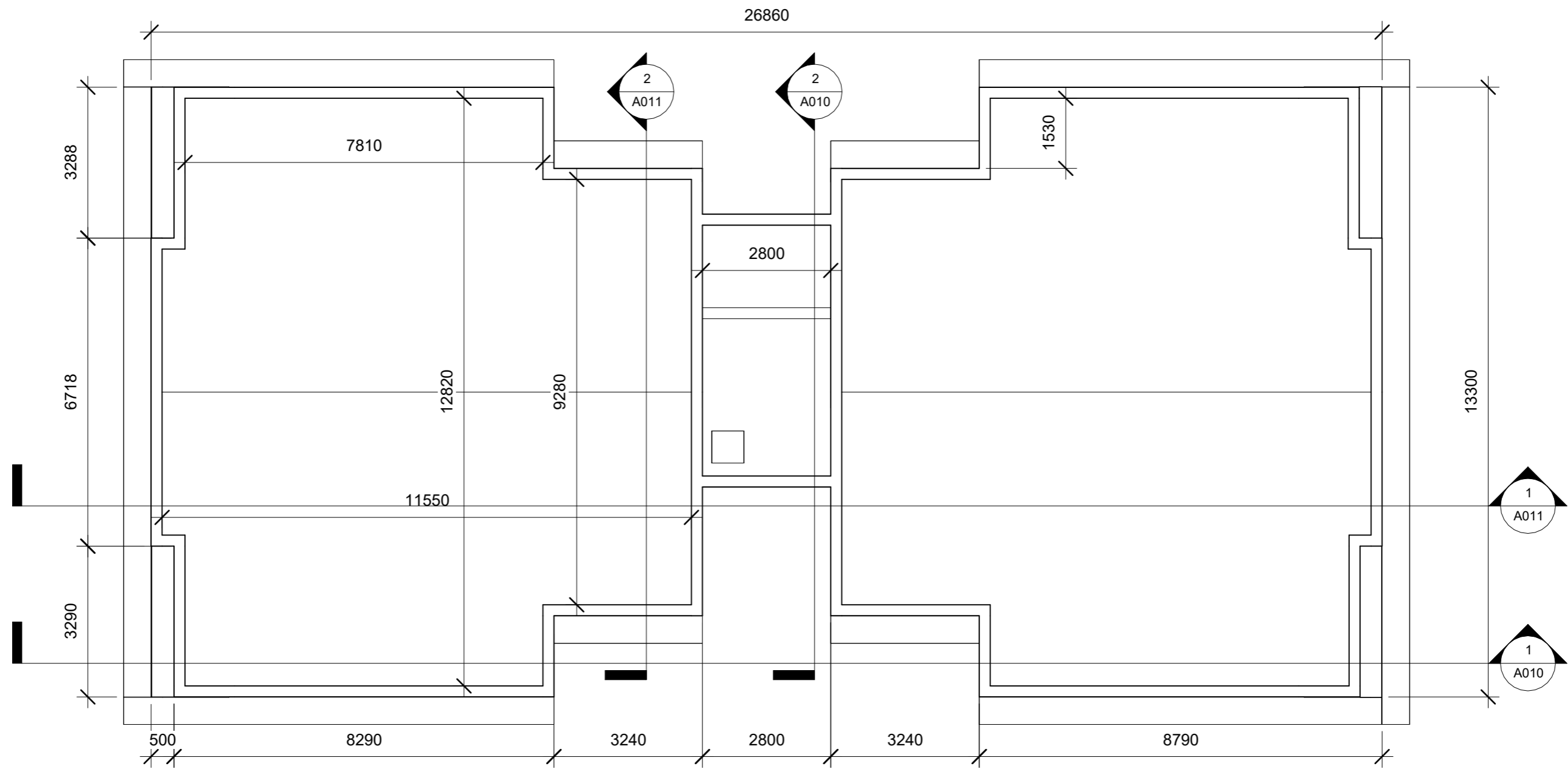
**1** 1-8 FLOOR PLAN  
1 : 100



No.	Description	Date

**CLIENT**  
**CRAYON APARTMENT**

1-8 FLOOR PLAN		A005
Project number	0001	
Date	16/08/2024	
Drawn by	ABID	
Checked by	THEERTHA	
Guided by	THEERTHA	
Scale	1 : 100	



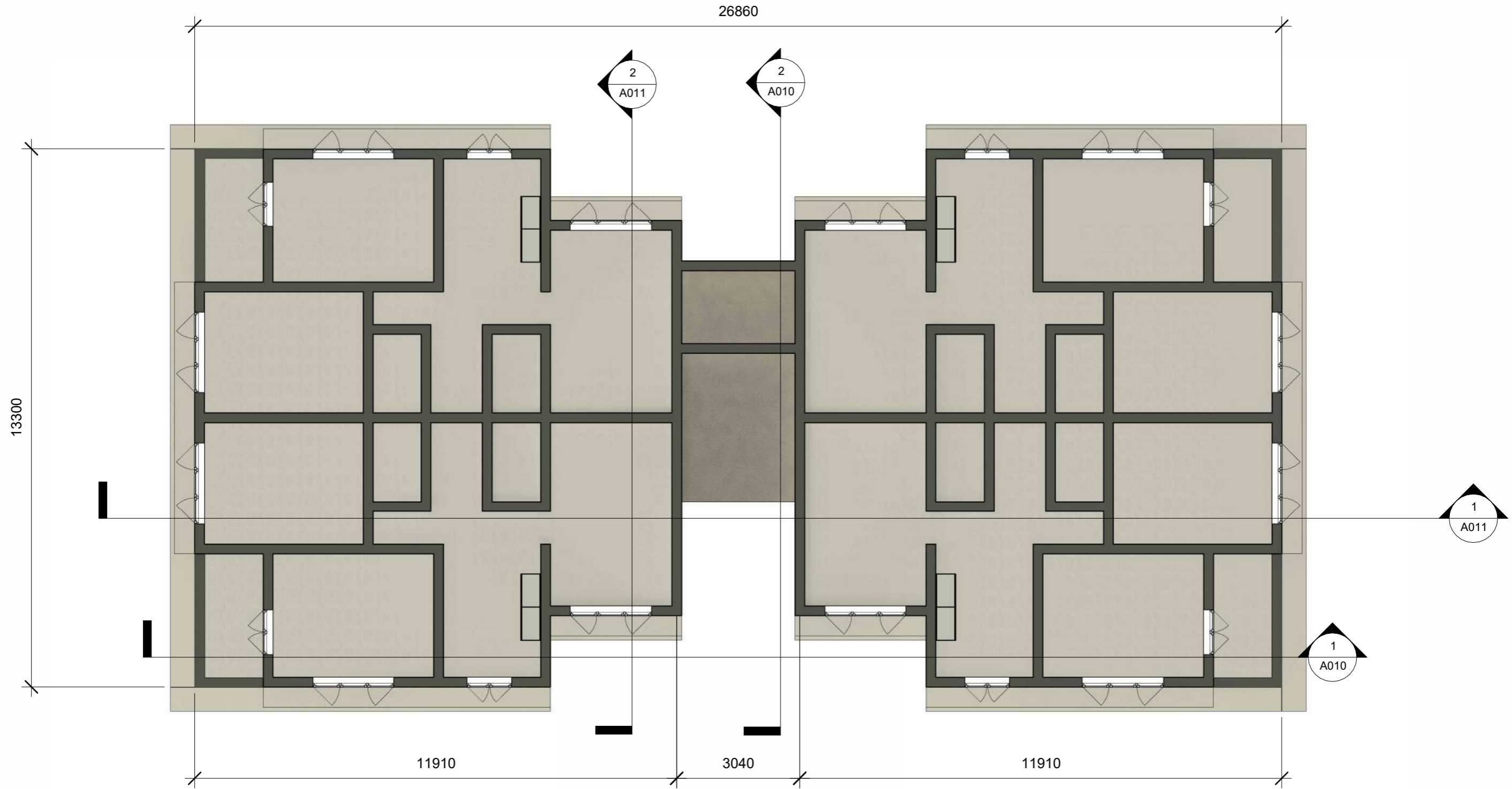
**1** ROOF FLOOR  
1 : 100



No.	Description	Date

**CLIENT**  
**CRAYON APARTMENT**

ROOF FLOOR		A006
Project number	0001	
Date	16/08/2024	
Drawn by	ABID	
Checked by	THEERTHA	
Guided by	THEERTHA	
Scale		1 : 100



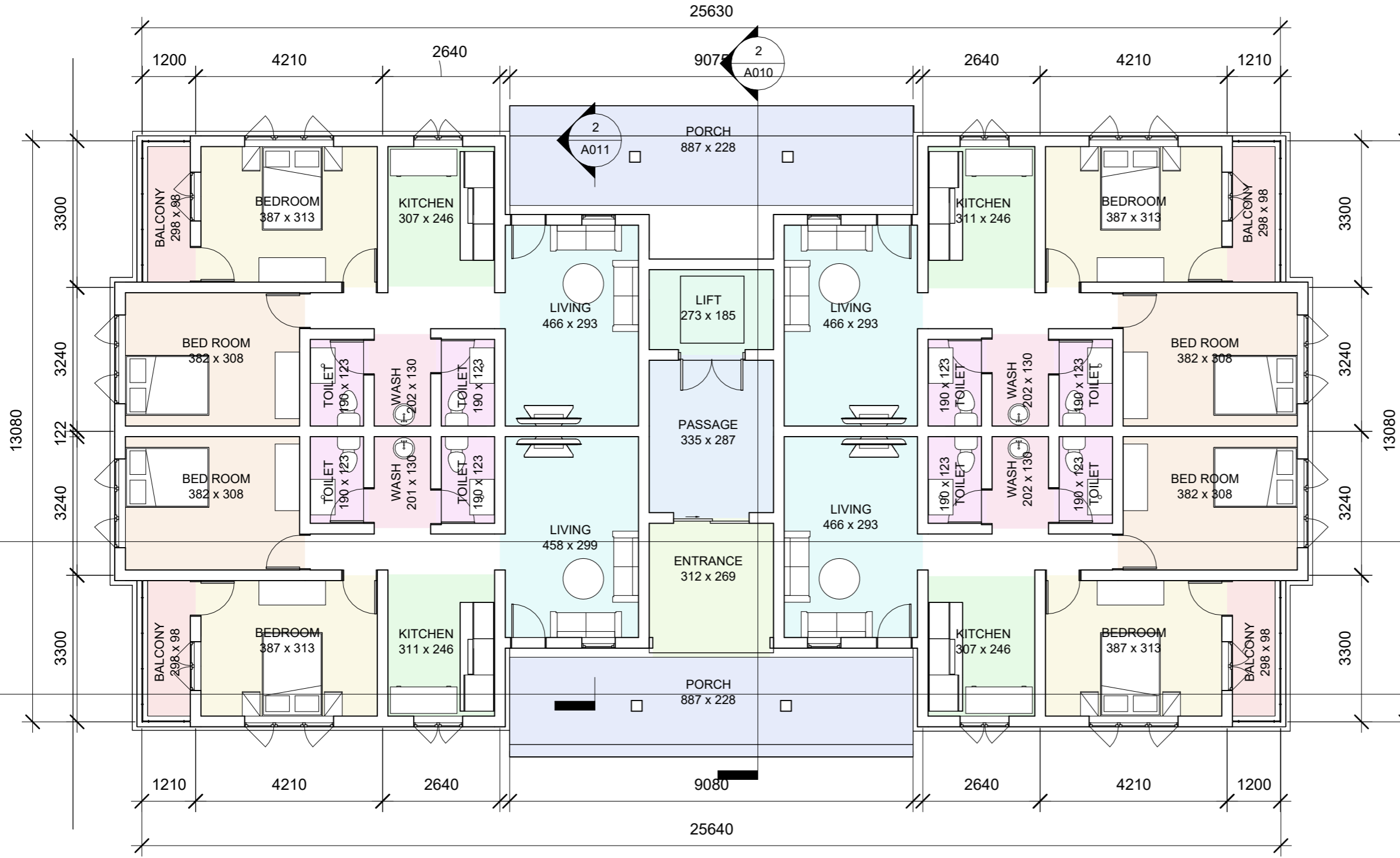
**1** CEILING PLAN  
1 : 100



No.	Description	Date

**CLIENT**  
**CRAYON APARTMENT**

CEILING PLAN		A007
Project number	0001	
Date	16/08/2024	
Drawn by	ABID	
Checked by	THEERTHA	
Guided by	THEERTHA	
Scale		1 : 100



### Room Legend

- BALCONY
- BED ROOM
- BEDROOM
- ENTRANCE
- KITCHEN
- LIFT
- LIVING
- PASSAGE
- PORCH
- TOILET
- WASH

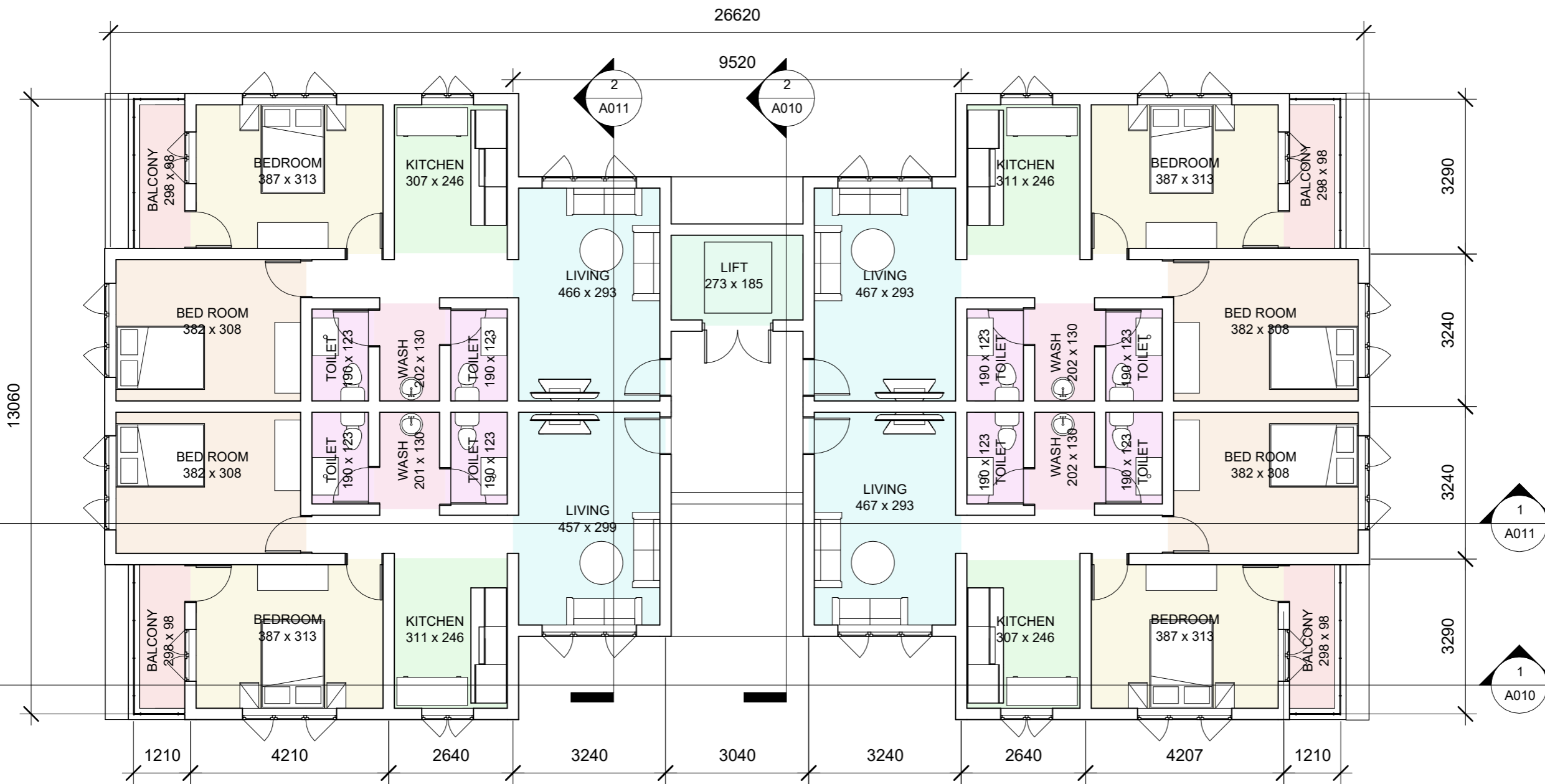
**1 GF COLOURFILL**  
1 : 100



No.	Description	Date

**CLIENT**  
**CRAYON APARTMENT**

GF COLOURFILL		A008
Project number	0001	
Date	16/08/2024	
Drawn by	ABID	
Checked by	THEERTHA	
Guided by	THEERTHA	
Scale		1 : 100



### Room Legend

- BALCONY
- BED ROOM
- BEDROOM
- KITCHEN
- LIFT
- LIVING
- TOILET
- WASH

## 1-8 FLOOR COLOURFILL

1 : 100



No.	Description	Date

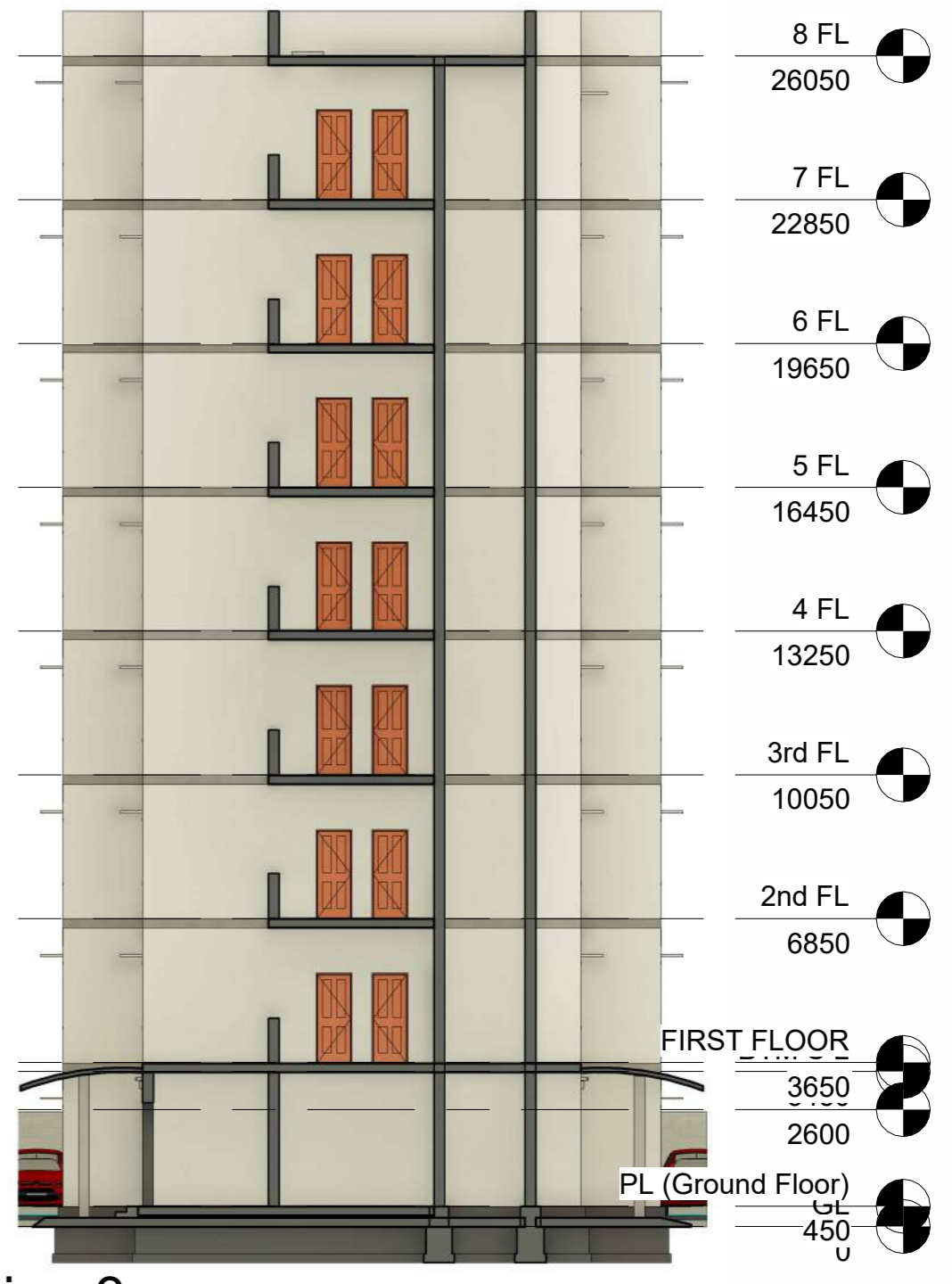
**CLIENT**  
**CRAYON APARTMENT**

1-8 F COLOURFILL		A009
Project number	0001	
Date	16/08/2024	
Drawn by	ABID	
Checked by	THEERTHA	
Guided by	THEERTHA	
Scale		1 : 100



1 Section 1

1 : 150



2 Section 3

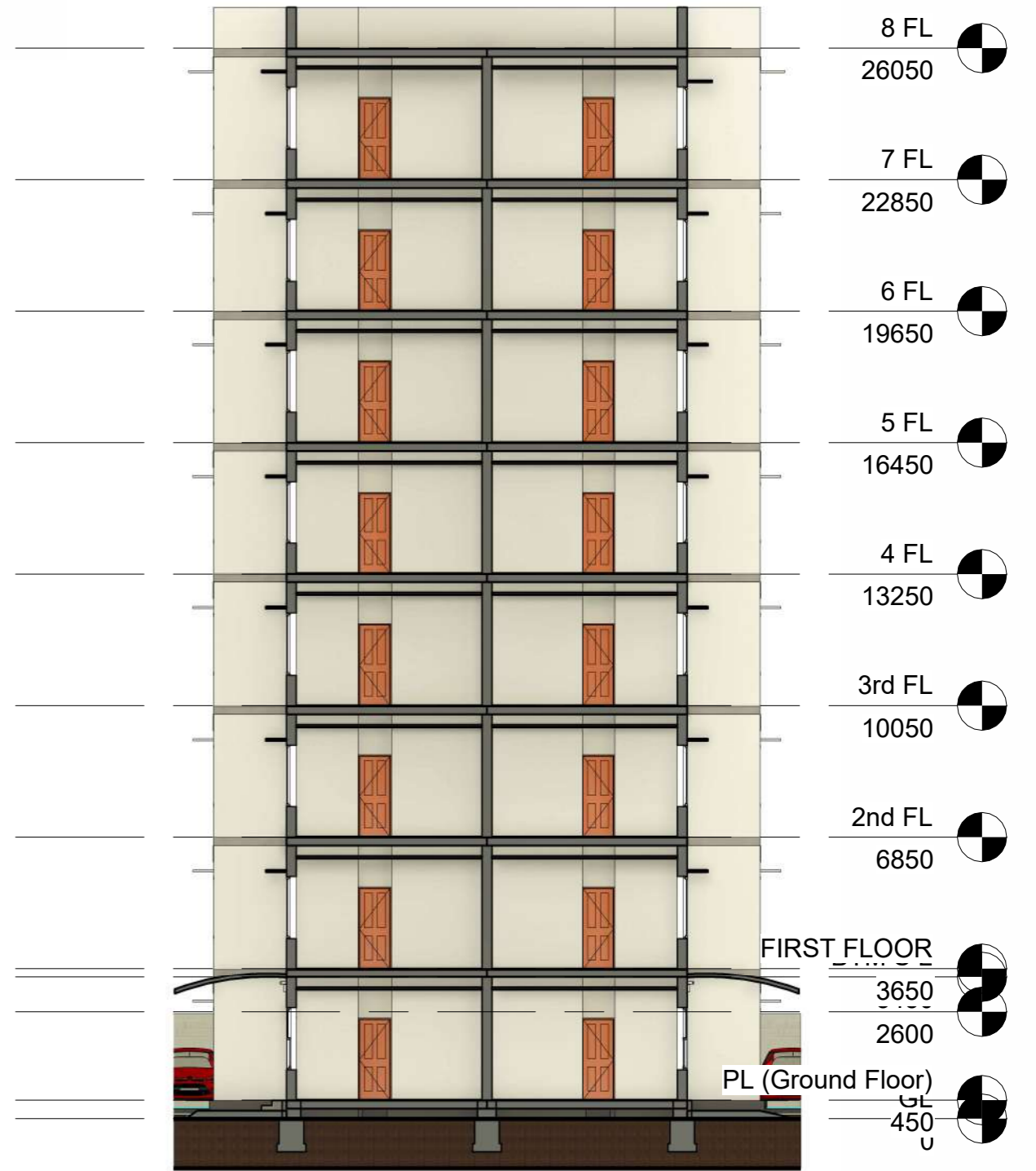
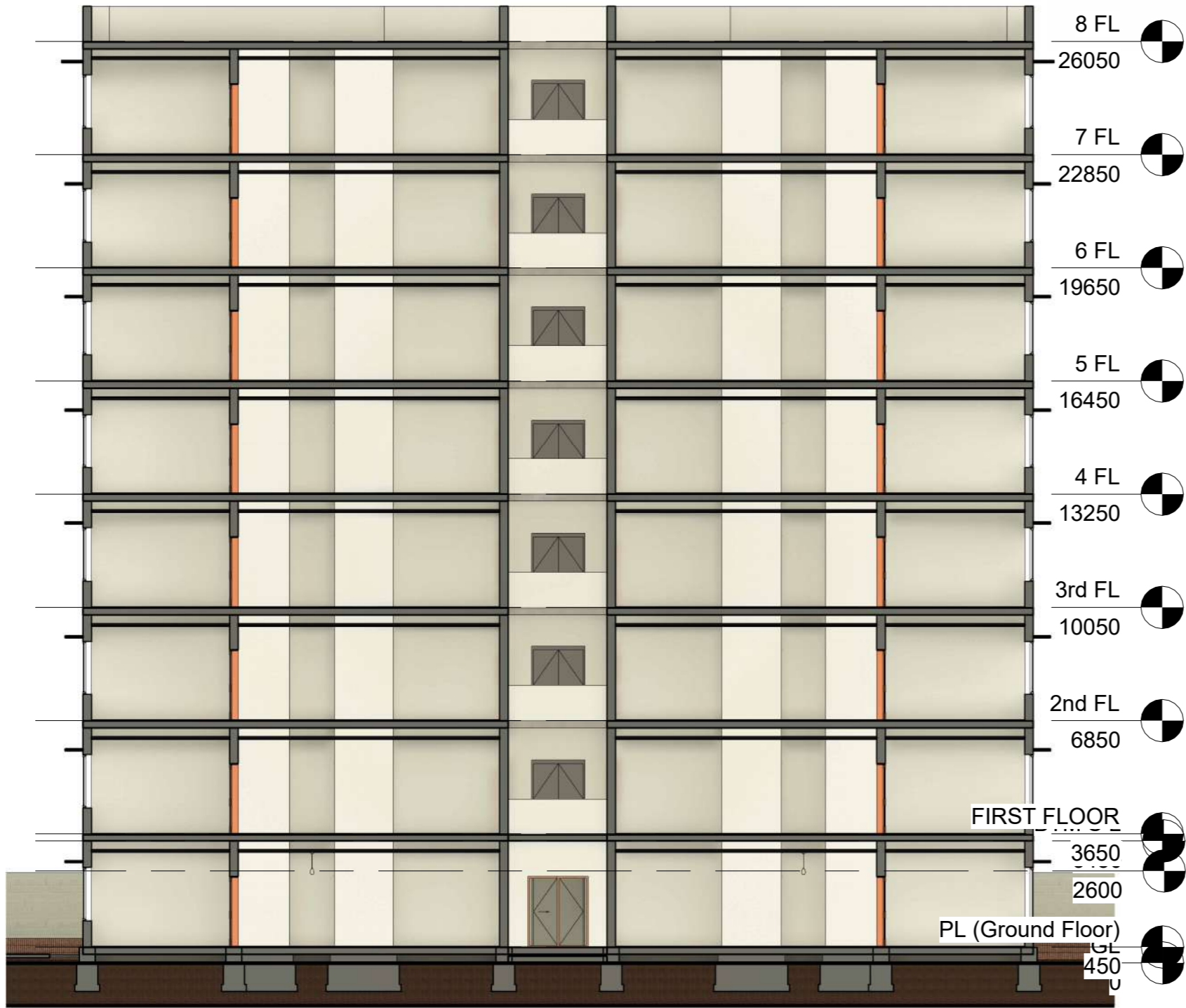
1 : 150



No.	Description	Date

CLIENT  
CRAYON APARTMENT

WALL SECTION 1&3		A010
Project number	0001	
Date	16/08/2024	
Drawn by	ABID	
Checked by	THEERTHA	
Guided by	THEERTHA	
Scale		1 : 150



1 Section 2  
1 : 150

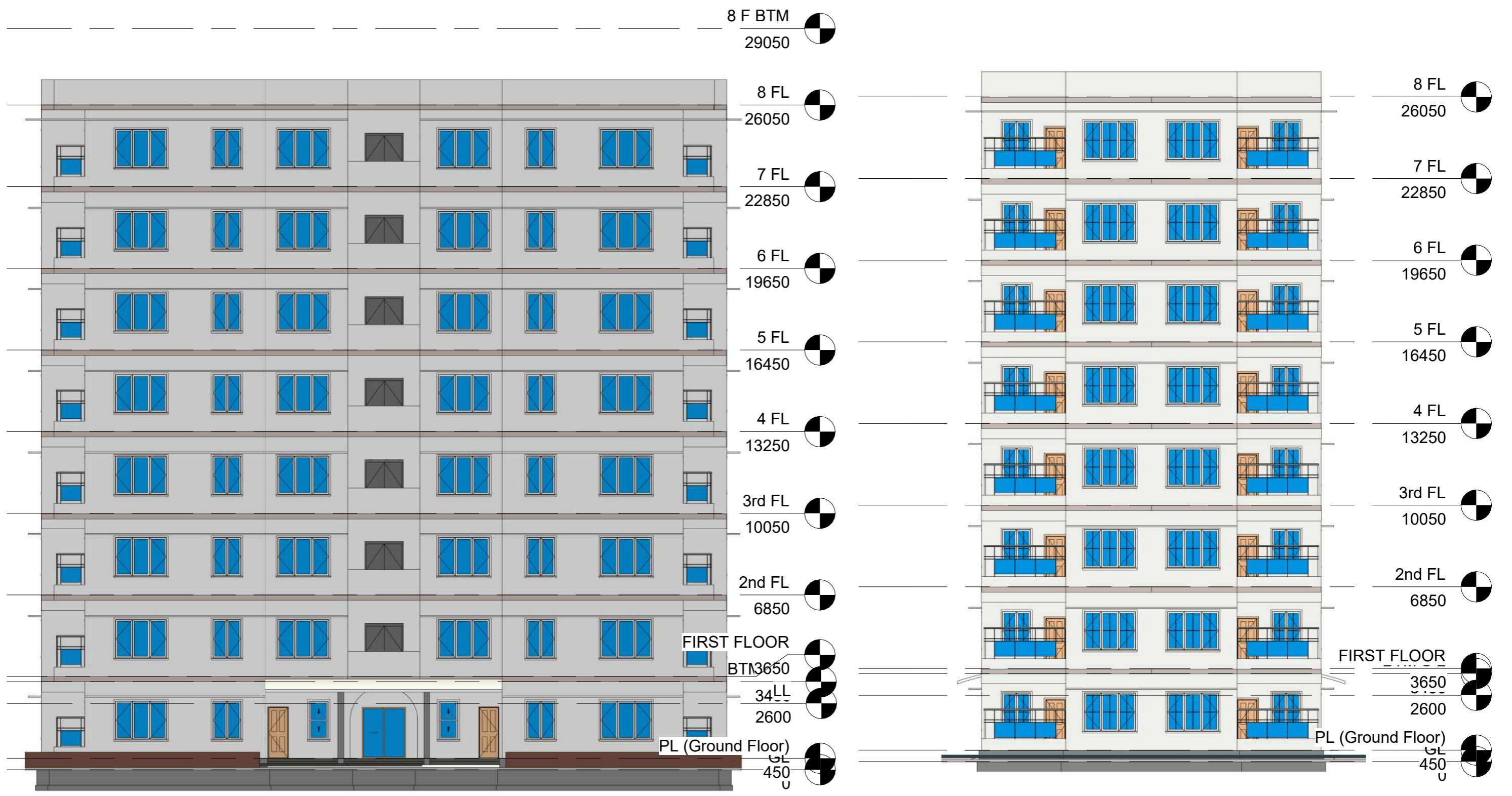
2 Section 4  
1 : 150



No.	Description	Date

CLIENT  
**CRAYON APARTMENT**

WALL SECTION 2&4		A011
Project number	0001	
Date	16/08/2024	
Drawn by	ABID	
Checked by	THEERTHA	
Guided by	THEERTHA	
Scale		1 : 150



1 South  
1 : 150

2 West  
1 : 150



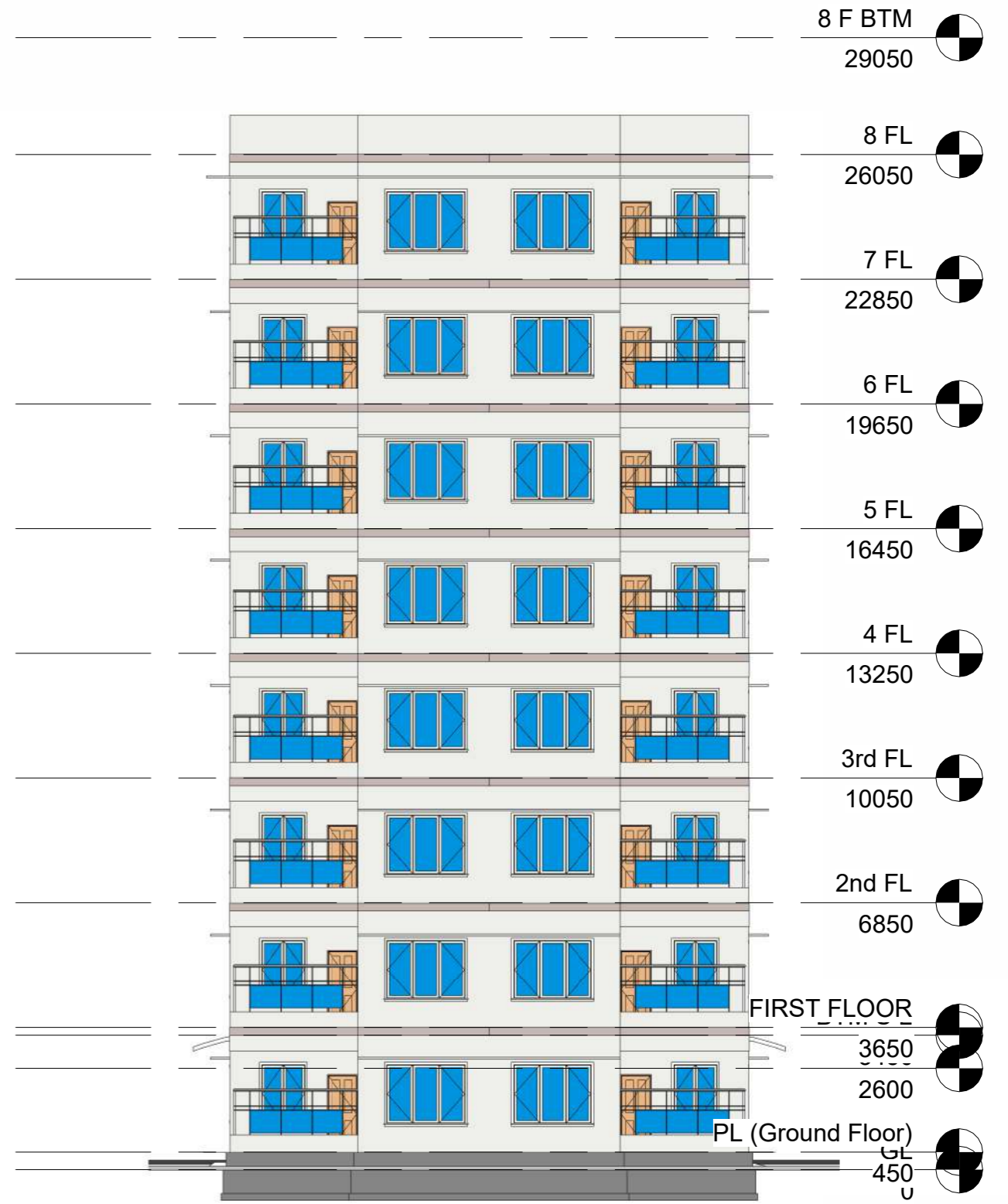
No.	Description	Date

CLIENT  
CRAYON APARTMENT

SOUTH & WEST		A012
Project number	0001	
Date	16/08/2024	
Drawn by	ABID	
Checked by	THEERTHA	
Guided by	THEERTHA	
Scale		1 : 150



1 North  
1 : 150




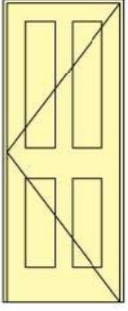
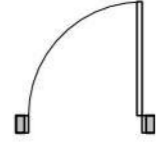
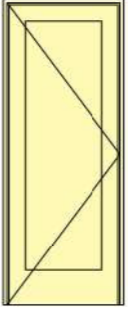
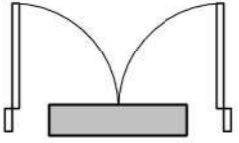
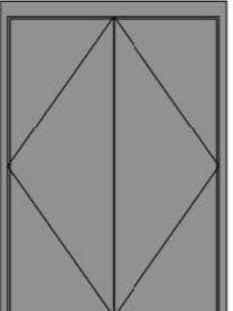

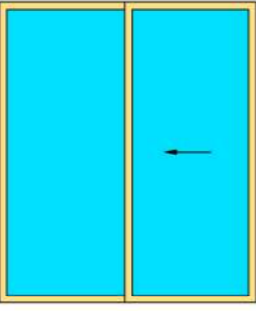
2 East  
1 : 150



No.	Description	Date

CLIENT  
**CRAYON APARTMENT**

NORTH AND EAST		A013
Project number	0001	
Date	16/08/2024	
Drawn by	ABID	
Checked by	THEERTHA	
Guided by	THEERTHA	
Scale		1 : 150

TYPE	PLAN	ELEVATION
D1		
D2		
LDR		
SD		

DOOR SCHEDULE			
Type	Height	Width	Count

D2	2000	750	1
D1	1975	750	1
D1	1975	750	1
D1	1975	750	1
D2	2000	750	1
D1	1975	750	1
D2	2000	750	1
D1	1975	750	1
D1	1975	750	1
D1	1975	750	1
D1	1975	750	1
D2	2000	750	1
D1	1975	750	1
D1	1975	750	1
D1	1975	750	1
D1	1975	750	1
D2	2000	750	1
D1	1975	750	1
D1	1975	750	1
D1	1975	750	1
D1	1975	750	1
D2	2000	750	1
D1	1975	750	1
D1	1975	750	1
D1	1975	750	1
D1	1975	750	1
D2	2000	750	1
D1	1975	750	1
D1	1975	750	1

DOOR SCHEDULE			
Type	Height	Width	Count

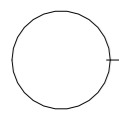
D2	2000	750	1
D1	1975	750	1
D1	1975	750	1
D1	1975	750	1
D2	2000	750	1
D2	2000	750	1
D1	1975	750	1
D1	1975	750	1
D1	1975	750	1
D1	1975	750	1
D2	2000	750	1
D1	1975	750	1
D1	1975	750	1
D2	2000	750	1
D1	1975	750	1
D1	1975	750	1
D1	1975	750	1
D1	1975	750	1
D2	2000	750	1
D1	1975	750	1
D1	1975	750	1
D1	1975	750	1
D1	1975	750	1
D2	2000	750	1
D1	1975	750	1
D1	1975	750	1

DOOR SCHEDULE			
Type	Height	Width	Count

D2	2000	750	1
D1	1975	750	1
D1	1975	750	1
D1	1975	750	1
D2	2000	750	1
D2	2000	750	1
D1	1975	750	1
D1	1975	750	1
D1	1975	750	1
D1	1975	750	1
D2	2000	750	1
D1	1975	750	1
D1	1975	750	1
D2	2000	750	1
D1	1975	750	1
D1	1975	750	1
D1	1975	750	1
D1	1975	750	1
D2	2000	750	1
D1	1975	750	1
D1	1975	750	1

## DOOR LEGEND

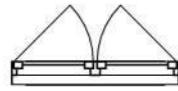
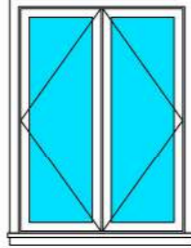

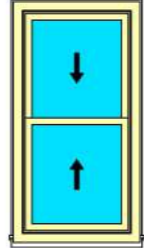
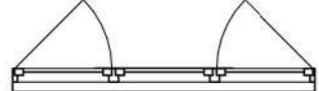
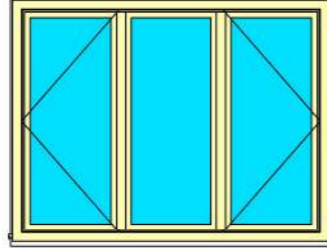
1 : 50



No.	Description	Date

**CLIENT**  
CRAYON APARTMENT

DOOR LEGEND & SCHEDULE			
Project number	0001	<b>A014</b>	
Date	16/08/2024		
Drawn by	ABID		
Checked by	THEERTHA		
Guided by	THEERTHA	Scale	1 : 50

TYPE	PLAN	ELEVATION
W1		
W2		
W3		

### WINDOW LEGEND

1 : 50

WINDOW SCHEDULE			
Type	Height	Width	Count

W1	1500	1100	1
W1	1500	1100	1
W2	1500	750	1
W3	1500	2000	1
W3	1500	2000	1
W1	1500	1100	1
W1	1500	1100	1
W2	1500	750	1
W3	1500	2000	1
W3	1500	2000	1
W1	1500	1100	1
W1	1500	1100	1
W2	1500	750	1
W3	1500	2000	1
W3	1500	2000	1
W1	1500	1100	1
W1	1500	1100	1
W3	1500	2000	1
W3	1500	2000	1
W1	1500	1100	1
W3	1500	2000	1
W3	1500	2000	1
W1	1500	1100	1
W3	1500	2000	1
W3	1500	2000	1
W1	1500	1100	1
W3	1500	2000	1
W1	1500	1100	1

WINDOW SCHEDULE			
Type	Height	Width	Count

W1	1500	1100	1
W3	1500	2000	1
W3	1500	2000	1
W3	1500	2000	1
W1	1500	1100	1
W1	1500	1100	1
W3	1500	2000	1
W3	1500	2000	1
W1	1500	1100	1
W1	1500	1100	1
W3	1500	2000	1
W3	1500	2000	1
W3	1500	2000	1
W1	1500	1100	1
W1	1500	1100	1
W3	1500	2000	1
W3	1500	2000	1
W3	1500	2000	1
W1	1500	1100	1
W1	1500	1100	1
W3	1500	2000	1
W3	1500	2000	1
W1	1500	1100	1
W1	1500	1100	1
W3	1500	2000	1
W1	1500	1100	1

WINDOW SCHEDULE			
Type	Height	Width	Count

W3	1500	2000	1
W3	1500	2000	1
W3	1500	2000	1
W1	1500	1100	1
W1	1500	1100	1
W3	1500	2000	1
W3	1500	2000	1
W1	1500	1100	1
W1	1500	1100	1
W3	1500	2000	1
W3	1500	2000	1
W3	1500	2000	1
W1	1500	1100	1
W1	1500	1100	1
W3	1500	2000	1
W3	1500	2000	1
W3	1500	2000	1
W1	1500	1100	1
W1	1500	1100	1
W3	1500	2000	1
W3	1500	2000	1
W1	1500	1100	1
W1	1500	1100	1
W3	1500	2000	1



No.	Description	Date

**CLIENT**  
CRAYON APARTMENT

WN LEGEND & SCHEDULE		
Project number	0001	<b>A015</b>
Date	16/08/2024	
Drawn by	ABID	Scale
Checked by	THEERTHA	
Guided by	THEERTHA	
		1 : 50

WALL MATERIAL TAKEOFF

Material: Name	Material: Volume	No. of Brick	Cost of Brick	Actual vol. of Brick	Cement Mortar Wet vol.	Cement Mortar Dry vol.	Cement vol.	No. of Cement bag	Cost of Cement	Sand vol.	Cost of Sand
Brick, Common	1.34 m³	672	6720	0.67 m³	0.67 m³	0.89 m³	0.13 m³	4	1839	0.77 m³	1379
Brick, Common	2.42 m³	1212	12120	1.21 m³	1.21 m³	1.61 m³	0.23 m³	7	3316	1.38 m³	2487
Brick, Common	0.85 m³	423	4230	0.42 m³	0.42 m³	0.56 m³	0.08 m³	2	1157	0.48 m³	868
Brick, Common	2.86 m³	1428	14280	1.43 m³	1.43 m³	1.90 m³	0.27 m³	8	3907	1.63 m³	2930
Brick, Common	1.26 m³	628	6275	0.63 m³	0.63 m³	0.83 m³	0.12 m³	3	1717	0.72 m³	1288
Brick, Common	1.32 m³	662	6620	0.66 m³	0.66 m³	0.88 m³	0.13 m³	4	1811	0.75 m³	1358
Brick, Common	3.04 m³	1518	15180	1.52 m³	1.52 m³	2.02 m³	0.29 m³	8	4153	1.73 m³	3115
Brick, Common	1.97 m³	987	9870	0.99 m³	0.99 m³	1.31 m³	0.19 m³	5	2700	1.13 m³	2025
Brick, Common	0.66 m³	329	3290	0.33 m³	0.33 m³	0.44 m³	0.06 m³	2	900	0.38 m³	675
Brick, Common	0.11 m³	54	540	0.05 m³	0.05 m³	0.07 m³	0.01 m³	0	148	0.06 m³	111
Brick, Common	0.27 m³	137	1373	0.14 m³	0.14 m³	0.18 m³	0.03 m³	1	376	0.16 m³	282
Brick, Common	2.12 m³	1059	10590	1.06 m³	1.06 m³	1.41 m³	0.20 m³	6	2897	1.21 m³	2173
Brick, Common	1.31 m³	657	6570	0.66 m³	0.66 m³	0.87 m³	0.12 m³	4	1798	0.75 m³	1348
Brick, Common	0.85 m³	426	4262	0.43 m³	0.43 m³	0.57 m³	0.08 m³	2	1166	0.49 m³	875
Brick, Common	0.86 m³	429	4288	0.43 m³	0.43 m³	0.57 m³	0.08 m³	2	1173	0.49 m³	880
Brick, Common	1.48 m³	740	7400	0.74 m³	0.74 m³	0.98 m³	0.14 m³	4	2025	0.84 m³	1518
Brick, Common	7.22 m³	3609	36090	3.61 m³	3.61 m³	4.80 m³	0.69 m³	20	9874	4.11 m³	7406
Brick, Common	0.86 m³	432	4320	0.43 m³	0.43 m³	0.57 m³	0.08 m³	2	1182	0.49 m³	886
Brick, Common	1.34 m³	672	6720	0.67 m³	0.67 m³	0.89 m³	0.13 m³	4	1839	0.77 m³	1379
Brick, Common	2.42 m³	1212	12120	1.21 m³	1.21 m³	1.61 m³	0.23 m³	7	3316	1.38 m³	2487
Brick, Common	0.85 m³	423	4230	0.42 m³	0.42 m³	0.56 m³	0.08 m³	2	1157	0.48 m³	868
Brick, Common	2.86 m³	1428	14280	1.43 m³	1.43 m³	1.90 m³	0.27 m³	8	3907	1.63 m³	2930
Brick, Common	1.26 m³	628	6275	0.63 m³	0.63 m³	0.83 m³	0.12 m³	3	1717	0.72 m³	1288
Brick, Common	1.32 m³	662	6620	0.66 m³	0.66 m³	0.88 m³	0.13 m³	4	1811	0.75 m³	1358
Brick, Common	3.04 m³	1518	15180	1.52 m³	1.52 m³	2.02 m³	0.29 m³	8	4153	1.73 m³	3115
Brick, Common	1.97 m³	987	9870	0.99 m³	0.99 m³	1.31 m³	0.19 m³	5	2700	1.13 m³	2025
Brick, Common	0.66 m³	329	3290	0.33 m³	0.33 m³	0.44 m³	0.06 m³	2	900	0.38 m³	675
Brick, Common	0.11 m³	54	540	0.05 m³	0.05 m³	0.07 m³	0.01 m³	0	148	0.06 m³	111
Brick, Common	0.27 m³	137	1373	0.14 m³	0.14 m³	0.18 m³	0.03 m³	1	376	0.16 m³	282
Brick, Common	2.12 m³	1059	10590	1.06 m³	1.06 m³	1.41 m³	0.20 m³	6	2897	1.21 m³	2173
Brick, Common	1.31 m³	657	6570	0.66 m³	0.66 m³	0.87 m³	0.12 m³	4	1798	0.75 m³	1348
Brick, Common	0.85 m³	426	4262	0.43 m³	0.43 m³	0.57 m³	0.08 m³	2	1166	0.49 m³	875
Brick, Common	0.86 m³	429	4288	0.43 m³	0.43 m³	0.57 m³	0.08 m³	2	1173	0.49 m³	880
Brick, Common	1.48 m³	740	7400	0.74 m³	0.74 m³	0.98 m³	0.14 m³	4	2025	0.84 m³	1518
Brick, Common	0.86 m³	432	4320	0.43 m³	0.43 m³	0.57 m³	0.08 m³	2	1182	0.49 m³	886
Brick, Common	1.34 m³	672	6720	0.67 m³	0.67 m³	0.89 m³	0.13 m³	4	1839	0.77 m³	1379
Brick, Common	2.42 m³	1212	12120	1.21 m³	1.21 m³	1.61 m³	0.23 m³	7	3316	1.38 m³	2487
Brick, Common	0.85 m³	423	4230	0.42 m³	0.42 m³	0.56 m³	0.08 m³	2	1157	0.48 m³	868
Brick, Common	2.86 m³	1428	14280	1.43 m³	1.43 m³	1.90 m³	0.27 m³	8	3907	1.63 m³	2930
Brick, Common	1.26 m³	628	6275	0.63 m³	0.63 m³	0.83 m³	0.12 m³	3	1717	0.72 m³	1288
Brick, Common	1.32 m³	662	6620	0.66 m³	0.66 m³	0.88 m³	0.13 m³	4	1811	0.75 m³	1358
Brick, Common	3.04 m³	1518	15180	1.52 m³	1.52 m³	2.02 m³	0.29 m³	8	4153	1.73 m³	3115
Brick, Common	1.97 m³	987	9870	0.99 m³	0.99 m³	1.31 m³	0.19 m³	5	2700	1.13 m³	2025



No.	Description	Date

<p><b>CLIENT</b></p> <p><b>CRAYON APARTMENT</b></p>	<b>WALL MATERIAL TAKEOFF</b>	
	Project number	0001
	Date	16/08/2024
	Drawn by	ABID
	Checked by	THEERTHA
Guided by	THEERTHA	Scale
		<b>A016</b>

**WALL MATERIAL TAKEOFF**

Material: Name	Material: Volume	No. of Brick	Cost of Brick	Actual vol. of Brick	Cement Mortar Wet vol.	Cement Mortar Dry vol.	Cement vol.	No. of Cement bag	Cost of Cement	Sand vol.	Cost of Sand
Brick, Common	0.66 m³	329	3290	0.33 m³	0.33 m³	0.44 m³	0.06 m³	2	900	0.38 m³	675
Brick, Common	0.11 m³	54	540	0.05 m³	0.05 m³	0.07 m³	0.01 m³	0	148	0.06 m³	111
Brick, Common	0.27 m³	137	1373	0.14 m³	0.14 m³	0.18 m³	0.03 m³	1	376	0.16 m³	282
Brick, Common	2.12 m³	1059	10590	1.06 m³	1.06 m³	1.41 m³	0.20 m³	6	2897	1.21 m³	2173
Brick, Common	1.31 m³	657	6570	0.66 m³	0.66 m³	0.87 m³	0.12 m³	4	1798	0.75 m³	1348
Brick, Common	0.85 m³	426	4262	0.43 m³	0.43 m³	0.57 m³	0.08 m³	2	1166	0.49 m³	875
Brick, Common	0.86 m³	429	4288	0.43 m³	0.43 m³	0.57 m³	0.08 m³	2	1173	0.49 m³	880
Brick, Common	1.48 m³	740	7400	0.74 m³	0.74 m³	0.98 m³	0.14 m³	4	2025	0.84 m³	1518
Brick, Common	7.22 m³	3609	36090	3.61 m³	3.61 m³	4.80 m³	0.69 m³	20	9874	4.11 m³	7406
Brick, Common	0.86 m³	432	4320	0.43 m³	0.43 m³	0.57 m³	0.08 m³	2	1182	0.49 m³	886
Brick, Common	1.34 m³	672	6720	0.67 m³	0.67 m³	0.89 m³	0.13 m³	4	1839	0.77 m³	1379
Brick, Common	2.42 m³	1212	12120	1.21 m³	1.21 m³	1.61 m³	0.23 m³	7	3316	1.38 m³	2487
Brick, Common	0.85 m³	423	4230	0.42 m³	0.42 m³	0.56 m³	0.08 m³	2	1157	0.48 m³	868
Brick, Common	2.86 m³	1428	14280	1.43 m³	1.43 m³	1.90 m³	0.27 m³	8	3907	1.63 m³	2930
Brick, Common	1.26 m³	628	6275	0.63 m³	0.63 m³	0.83 m³	0.12 m³	3	1717	0.72 m³	1288
Brick, Common	1.32 m³	662	6620	0.66 m³	0.66 m³	0.88 m³	0.13 m³	4	1811	0.75 m³	1358
Brick, Common	3.04 m³	1518	15180	1.52 m³	1.52 m³	2.02 m³	0.29 m³	8	4153	1.73 m³	3115
Brick, Common	1.97 m³	987	9870	0.99 m³	0.99 m³	1.31 m³	0.19 m³	5	2700	1.13 m³	2025
Brick, Common	0.66 m³	329	3290	0.33 m³	0.33 m³	0.44 m³	0.06 m³	2	900	0.38 m³	675
Brick, Common	0.11 m³	54	540	0.05 m³	0.05 m³	0.07 m³	0.01 m³	0	148	0.06 m³	111
Brick, Common	0.27 m³	137	1373	0.14 m³	0.14 m³	0.18 m³	0.03 m³	1	376	0.16 m³	282
Brick, Common	2.12 m³	1059	10590	1.06 m³	1.06 m³	1.41 m³	0.20 m³	6	2897	1.21 m³	2173
Brick, Common	1.31 m³	657	6570	0.66 m³	0.66 m³	0.87 m³	0.12 m³	4	1798	0.75 m³	1348
Brick, Common	0.85 m³	426	4262	0.43 m³	0.43 m³	0.57 m³	0.08 m³	2	1166	0.49 m³	875
Brick, Common	0.86 m³	429	4288	0.43 m³	0.43 m³	0.57 m³	0.08 m³	2	1173	0.49 m³	880
Brick, Common	1.48 m³	740	7400	0.74 m³	0.74 m³	0.98 m³	0.14 m³	4	2025	0.84 m³	1518
Brick, Common	0.86 m³	432	4320	0.43 m³	0.43 m³	0.57 m³	0.08 m³	2	1182	0.49 m³	886
Brick, Common	0.26 m³	132	1320	0.13 m³	0.13 m³	0.18 m³	0.03 m³	1	361	0.15 m³	271
Brick, Common	0.12 m³	58	580	0.06 m³	0.06 m³	0.08 m³	0.01 m³	0	159	0.07 m³	119
Brick, Common	0.26 m³	132	1320	0.13 m³	0.13 m³	0.18 m³	0.03 m³	1	361	0.15 m³	271
Brick, Common	0.12 m³	58	580	0.06 m³	0.06 m³	0.08 m³	0.01 m³	0	159	0.07 m³	119
Brick, Common	0.26 m³	132	1320	0.13 m³	0.13 m³	0.18 m³	0.03 m³	1	361	0.15 m³	271
Brick, Common	0.12 m³	58	580	0.06 m³	0.06 m³	0.08 m³	0.01 m³	0	159	0.07 m³	119
Brick, Common	0.26 m³	132	1320	0.13 m³	0.13 m³	0.18 m³	0.03 m³	1	361	0.15 m³	271
Brick, Common	0.12 m³	58	580	0.06 m³	0.06 m³	0.08 m³	0.01 m³	0	159	0.07 m³	119
Brick, Common	1.34 m³	672	6720	0.67 m³	0.67 m³	0.89 m³	0.13 m³	4	1839	0.77 m³	1379
Brick, Common	2.42 m³	1212	12120	1.21 m³	1.21 m³	1.61 m³	0.23 m³	7	3316	1.38 m³	2487
Brick, Common	0.85 m³	423	4230	0.42 m³	0.42 m³	0.56 m³	0.08 m³	2	1157	0.48 m³	868
Brick, Common	2.54 m³	1268	12680	1.27 m³	1.27 m³	1.69 m³	0.24 m³	7	3469	1.45 m³	2602
Brick, Common	1.20 m³	600	6000	0.60 m³	0.60 m³	0.80 m³	0.11 m³	3	1642	0.68 m³	1231
Brick, Common	1.32 m³	662	6620	0.66 m³	0.66 m³	0.88 m³	0.13 m³	4	1811	0.75 m³	1358
Brick, Common	3.04 m³	1518	15180	1.52 m³	1.52 m³	2.02 m³	0.29 m³	8	4153	1.73 m³	3115



No.	Description	Date

<p><b>CLIENT</b></p> <p><b>CRAYON APARTMENT</b></p>	<b>WALL MATERIAL TAKEOFF-1</b>	
	Project number	0001
	Date	16/08/2024
	Drawn by	ABID
	Checked by	THEERTHA
Guided by	THEERTHA	Scale
		<b>A017</b>

**WALL MATERIAL TAKEOFF**

Material: Name	Material: Volume	No. of Brick	Cost of Brick	Actual vol. of Brick	Cement Mortar Wet vol.	Cement Mortar Dry vol.	Cement vol.	No. of Cement bag	Cost of Cement	Sand vol.	Cost of Sand
Brick, Common	1.97 m³	987	9870	0.99 m³	0.99 m³	1.31 m³	0.19 m³	5	2700	1.13 m³	2025
Brick, Common	0.66 m³	329	3290	0.33 m³	0.33 m³	0.44 m³	0.06 m³	2	900	0.38 m³	675
Brick, Common	0.10 m³	48	480	0.05 m³	0.05 m³	0.06 m³	0.01 m³	0	131	0.05 m³	98
Brick, Common	0.24 m³	122	1220	0.12 m³	0.12 m³	0.16 m³	0.02 m³	1	334	0.14 m³	250
Brick, Common	2.12 m³	1059	10590	1.06 m³	1.06 m³	1.41 m³	0.20 m³	6	2897	1.21 m³	2173
Brick, Common	1.31 m³	657	6570	0.66 m³	0.66 m³	0.87 m³	0.12 m³	4	1798	0.75 m³	1348
Brick, Common	0.85 m³	426	4262	0.43 m³	0.43 m³	0.57 m³	0.08 m³	2	1166	0.49 m³	875
Brick, Common	0.86 m³	429	4288	0.43 m³	0.43 m³	0.57 m³	0.08 m³	2	1173	0.49 m³	880
Brick, Common	1.48 m³	740	7400	0.74 m³	0.74 m³	0.98 m³	0.14 m³	4	2025	0.84 m³	1518
Brick, Common	7.22 m³	3609	36090	3.61 m³	3.61 m³	4.80 m³	0.69 m³	20	9874	4.11 m³	7406
Brick, Common	0.86 m³	432	4320	0.43 m³	0.43 m³	0.57 m³	0.08 m³	2	1182	0.49 m³	886
Brick, Common	1.34 m³	672	6720	0.67 m³	0.67 m³	0.89 m³	0.13 m³	4	1839	0.77 m³	1379
Brick, Common	2.42 m³	1212	12120	1.21 m³	1.21 m³	1.61 m³	0.23 m³	7	3316	1.38 m³	2487
Brick, Common	0.85 m³	423	4230	0.42 m³	0.42 m³	0.56 m³	0.08 m³	2	1157	0.48 m³	868
Brick, Common	2.54 m³	1268	12680	1.27 m³	1.27 m³	1.69 m³	0.24 m³	7	3469	1.45 m³	2602
Brick, Common	1.20 m³	600	6000	0.60 m³	0.60 m³	0.80 m³	0.11 m³	3	1642	0.68 m³	1231
Brick, Common	1.32 m³	662	6620	0.66 m³	0.66 m³	0.88 m³	0.13 m³	4	1811	0.75 m³	1358
Brick, Common	3.04 m³	1518	15180	1.52 m³	1.52 m³	2.02 m³	0.29 m³	8	4153	1.73 m³	3115
Brick, Common	1.97 m³	987	9870	0.99 m³	0.99 m³	1.31 m³	0.19 m³	5	2700	1.13 m³	2025
Brick, Common	0.66 m³	329	3290	0.33 m³	0.33 m³	0.44 m³	0.06 m³	2	900	0.38 m³	675
Brick, Common	0.10 m³	48	480	0.05 m³	0.05 m³	0.06 m³	0.01 m³	0	131	0.05 m³	98
Brick, Common	0.24 m³	122	1220	0.12 m³	0.12 m³	0.16 m³	0.02 m³	1	334	0.14 m³	250
Brick, Common	2.12 m³	1059	10590	1.06 m³	1.06 m³	1.41 m³	0.20 m³	6	2897	1.21 m³	2173
Brick, Common	1.31 m³	657	6570	0.66 m³	0.66 m³	0.87 m³	0.12 m³	4	1798	0.75 m³	1348
Brick, Common	0.85 m³	426	4262	0.43 m³	0.43 m³	0.57 m³	0.08 m³	2	1166	0.49 m³	875
Brick, Common	0.86 m³	429	4288	0.43 m³	0.43 m³	0.57 m³	0.08 m³	2	1173	0.49 m³	880
Brick, Common	1.48 m³	740	7400	0.74 m³	0.74 m³	0.98 m³	0.14 m³	4	2025	0.84 m³	1518
Brick, Common	0.86 m³	432	4320	0.43 m³	0.43 m³	0.57 m³	0.08 m³	2	1182	0.49 m³	886
Brick, Common	1.34 m³	672	6720	0.67 m³	0.67 m³	0.89 m³	0.13 m³	4	1839	0.77 m³	1379
Brick, Common	2.42 m³	1212	12120	1.21 m³	1.21 m³	1.61 m³	0.23 m³	7	3316	1.38 m³	2487
Brick, Common	0.85 m³	423	4230	0.42 m³	0.42 m³	0.56 m³	0.08 m³	2	1157	0.48 m³	868
Brick, Common	2.54 m³	1268	12680	1.27 m³	1.27 m³	1.69 m³	0.24 m³	7	3469	1.45 m³	2602
Brick, Common	1.20 m³	600	6000	0.60 m³	0.60 m³	0.80 m³	0.11 m³	3	1642	0.68 m³	1231
Brick, Common	1.32 m³	662	6620	0.66 m³	0.66 m³	0.88 m³	0.13 m³	4	1811	0.75 m³	1358
Brick, Common	3.04 m³	1518	15180	1.52 m³	1.52 m³	2.02 m³	0.29 m³	8	4153	1.73 m³	3115
Brick, Common	1.97 m³	987	9870	0.99 m³	0.99 m³	1.31 m³	0.19 m³	5	2700	1.13 m³	2025
Brick, Common	0.66 m³	329	3290	0.33 m³	0.33 m³	0.44 m³	0.06 m³	2	900	0.38 m³	675
Brick, Common	0.10 m³	48	480	0.05 m³	0.05 m³	0.06 m³	0.01 m³	0	131	0.05 m³	98
Brick, Common	0.24 m³	122	1220	0.12 m³	0.12 m³	0.16 m³	0.02 m³	1	334	0.14 m³	250
Brick, Common	2.12 m³	1059	10590	1.06 m³	1.06 m³	1.41 m³	0.20 m³	6	2897	1.21 m³	2173
Brick, Common	1.31 m³	657	6570	0.66 m³	0.66 m³	0.87 m³	0.12 m³	4	1798	0.75 m³	1348
Brick, Common	0.85 m³	426	4262	0.43 m³	0.43 m³	0.57 m³	0.08 m³	2	1166	0.49 m³	875
Brick, Common	0.86 m³	429	4288	0.43 m³	0.43 m³	0.57 m³	0.08 m³	2	1173	0.49 m³	880
Brick, Common	1.48 m³	740	7400	0.74 m³	0.74 m³	0.98 m³	0.14 m³	4	2025	0.84 m³	1518



No.	Description	Date

**CLIENT**  
**CRAYON APARTMENT**

WALL MATERIAL TAKEOFF-2		A018
Project number	0001	
Date	16/08/2024	
Drawn by	ABID	
Checked by	THEERTHA	
Guided by	THEERTHA	
Scale		









No.	Description	Date

CLIENT  
  
CRAYON APARTMENT

3D IMAGE-A		A022
Project number	0001	
Date	16/08/2024	
Drawn by	ABID	
Checked by	THEERTHA	
Guided by	THEERTHA	
Scale		



No.	Description	Date

CLIENT  
  
CRAYON APARTMENT

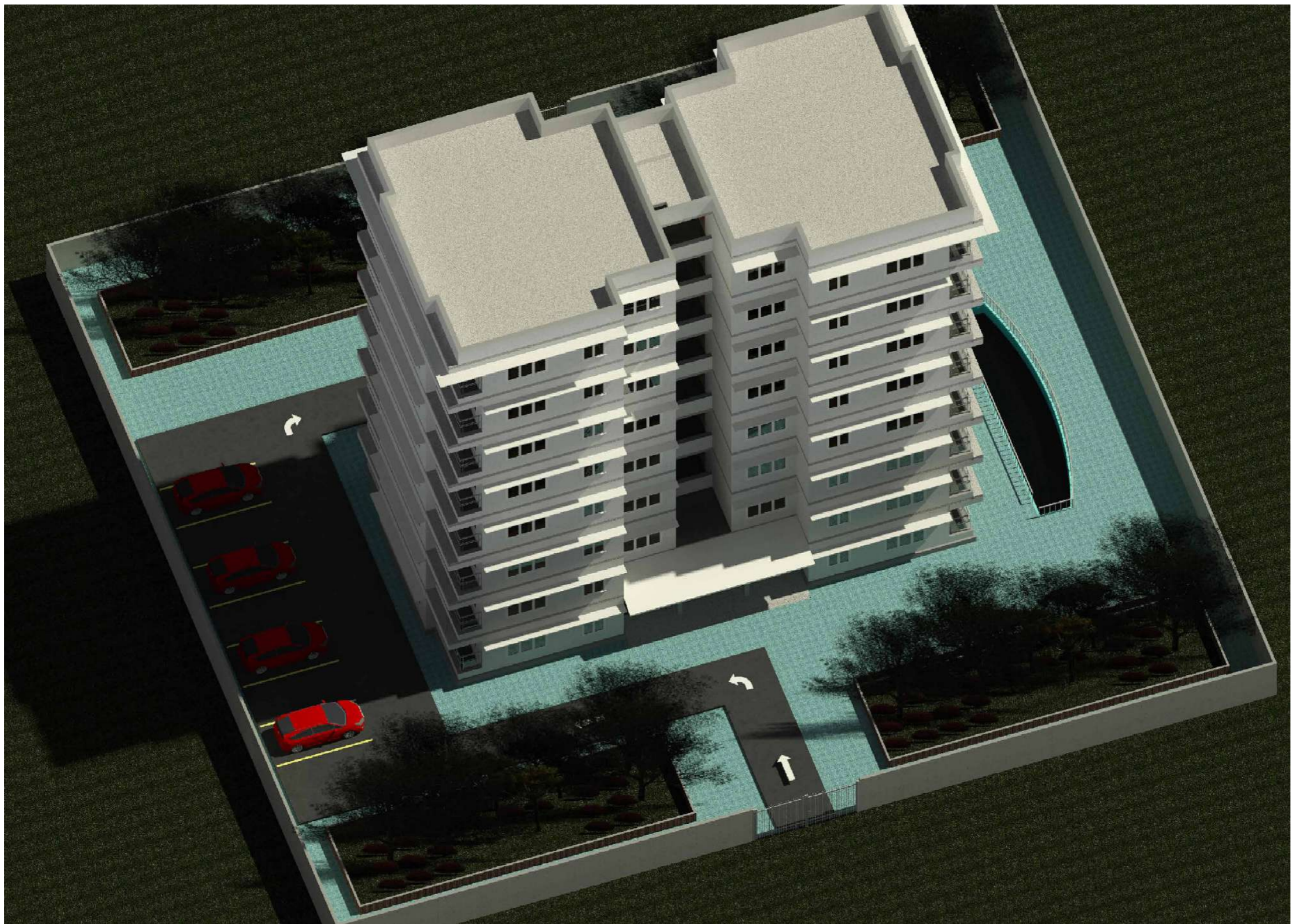
3D IMAGE-B		A023
Project number	0001	
Date	16/08/2024	
Drawn by	ABID	
Checked by	THEERTHA	
Guided by	THEERTHA	
Scale		



No.	Description	Date

CLIENT  
  
CRAYON APARTMENT

3D IMAGE-C		A024
Project number	0001	
Date	16/08/2024	
Drawn by	ABID	
Checked by	THEERTHA	
Guided by	THEERTHA	
Scale		



No.	Description	Date

CLIENT  
 CRAYON APARTMENT

3D IMAGE-D		A025
Project number	0001	
Date	16/08/2024	
Drawn by	ABID	
Checked by	THEERTHA	
Guided by	THEERTHA	
Scale		