

HEMISPHERICAL HEAD
58 THK. (NOM.)
52 THK. (MIN.)

2600 MEAN CROWN DIAMETER

HEMISPHERICAL HEAD
58 THK. (NOM.)
52 THK. (MIN.)

8 Nos. PETAL

A = L/S

B = C/S

8 Nos. PETAL

R2417
INSIDE

2224
HEIGHT INSIDE

W.L.
T.L.
238
S.F.
75
THK.

'D1'

4900 I.D.

TL TO TL 7000

SHELL I.D. 4900

W.L.
T.L.
238
S.F.
75
THK.

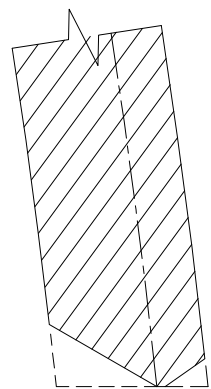
A01

75 THK

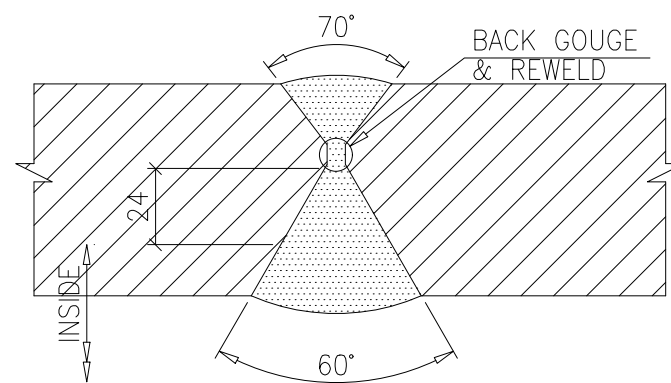
B

7000

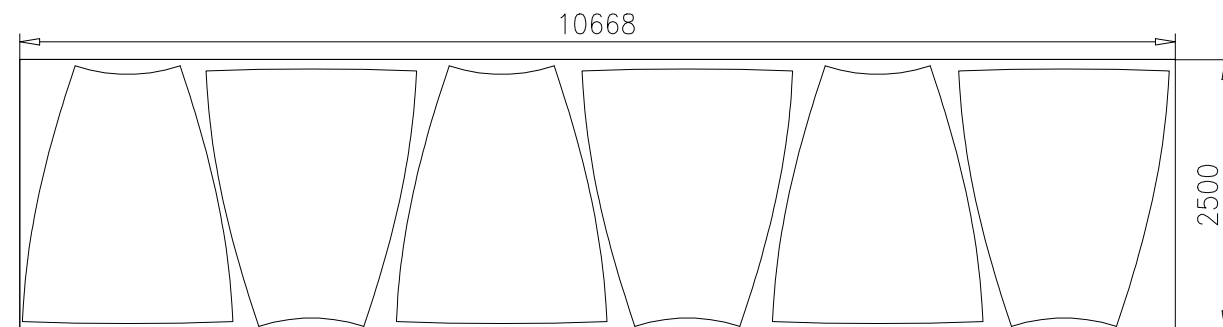
DETAIL OF HEMISPHERICAL HEAD



DETAIL 'D1'



DETAIL 'D2'



52THK x 2500W x 10667L = 1 No.

MATERIAL: SA-516 Gr.70



DB Number : UITM269376
Date : 01-01-2026
Student : JENI MARIA GEORGE
Guide : DELWIN DAVIS

Project Name : PRESSURE VESSEL

Centre :
Creative Academy of Design
Sunny Junction Building
North Chalakudy, Thrissur



Software : AUTOCAD